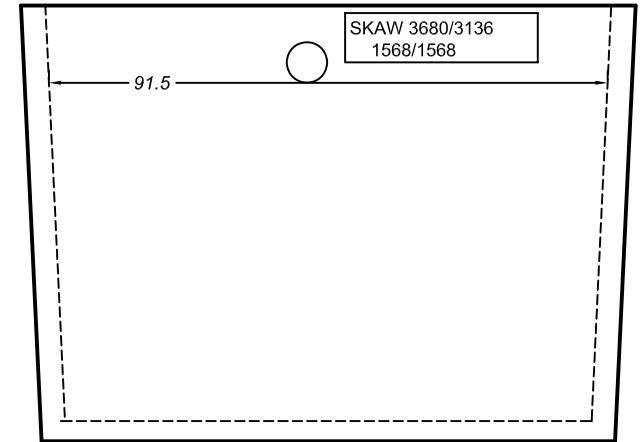
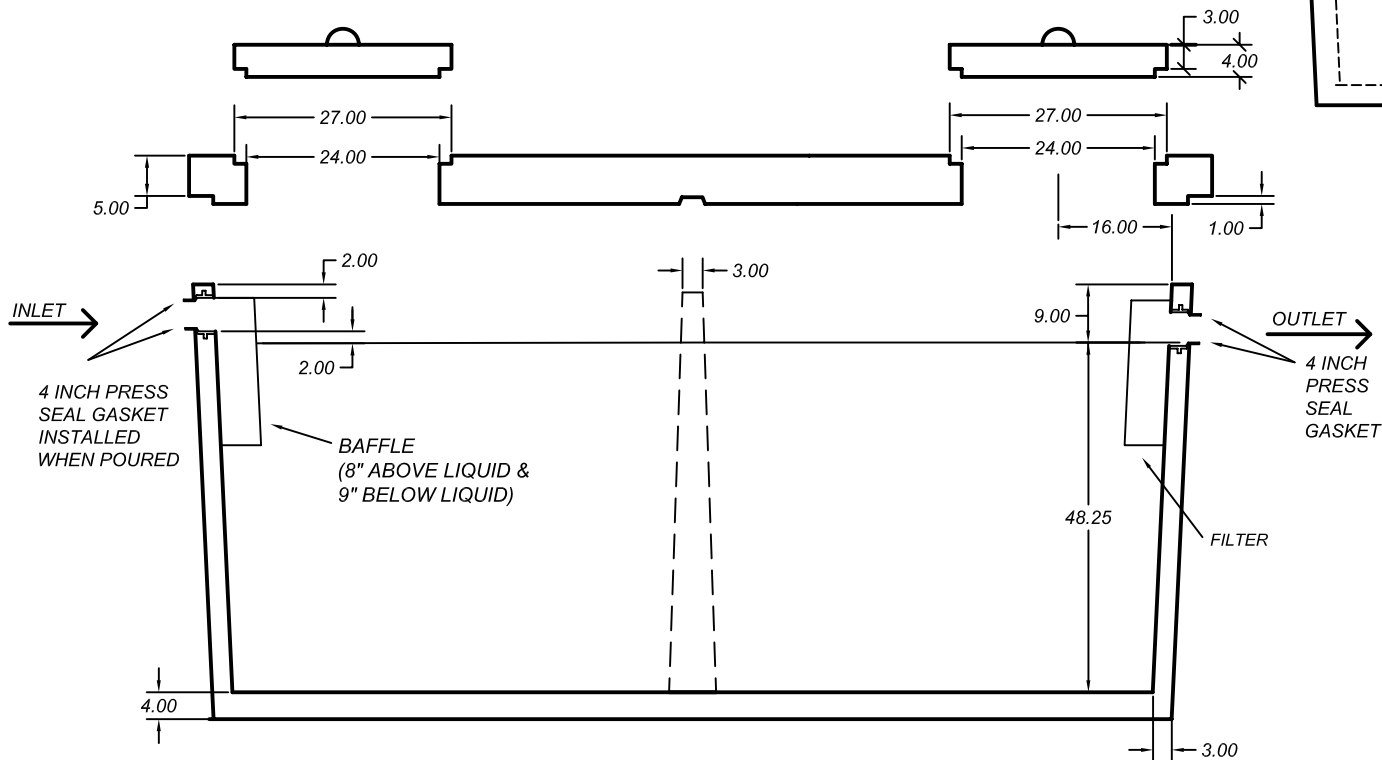


WARNING DEATH MAY OCCUR IF TANK IS ENTERED WITHOUT PROPER EQUIPMENT

NOTE: SEE INNER WALL PHOTO ON THE "EXCLUSIVELY AT SKAW'S" PAGE.



OUTLET END VIEW OF TANK



SECTION VIEW OF TANK AND COVER

Model Number: **3136**

Approved for: SEPTIC, SIPHON, HOLDING, OR PUMP CHAMBER

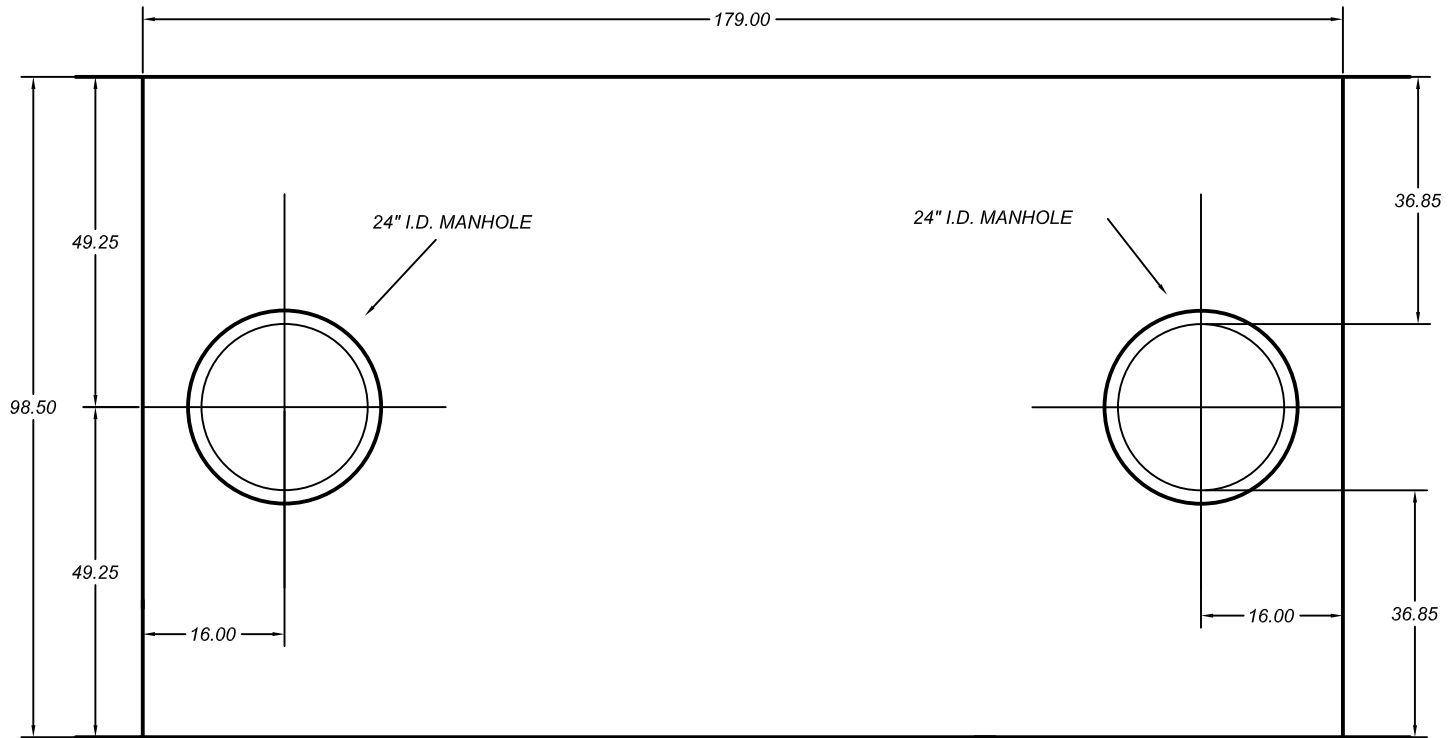
Weight	Inlet Dim.	Outlet Dim.	Liq. Depth	Gal. / In.	Max. Cap.
21,800 lbs.	54"	52"	48.25"	65.03	3136 gal.

SKAW PRE-CAST

26255 105th Street, New Auburn
Wisconsin 54757
www.skawprecast.com

Phone: (715) 967-2277
Toll Free: 1-800-924-8625
Fax: (715) 967-2707

TOP VIEW OF COVER



Model Number: **3136**

Approved for: SEPTIC, SIPHON, HOLDING, OR PUMP CHAMBER

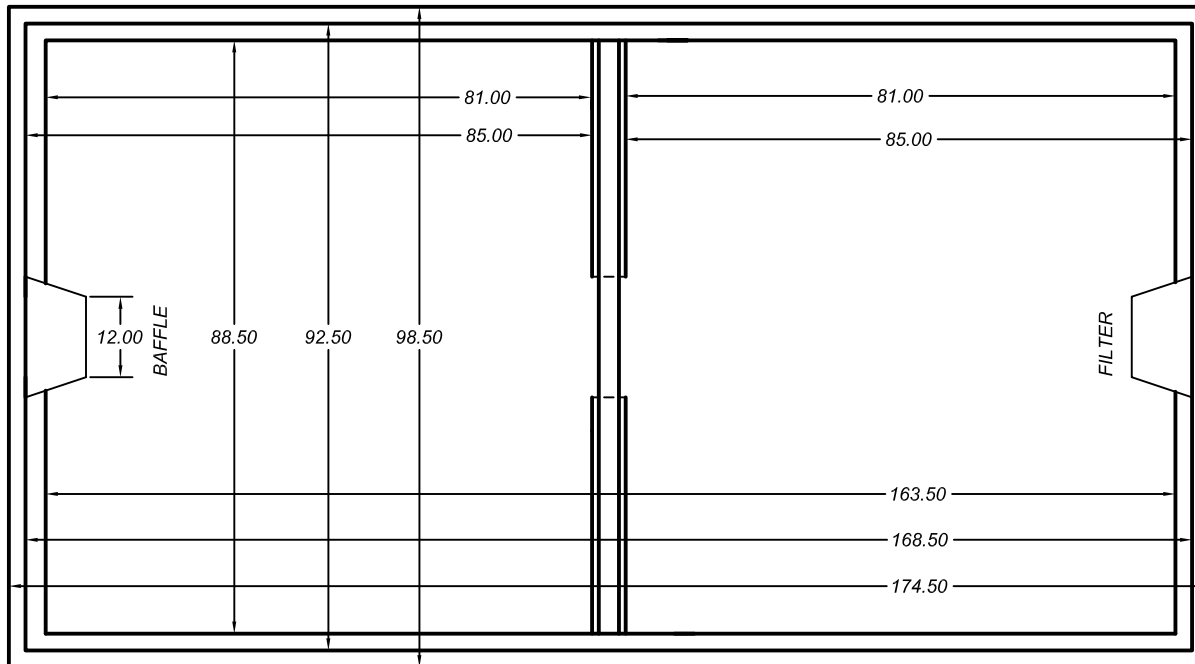
Weight	Inlet Dim.	Outlet Dim.	Liq. Depth	Gal. / In.	Max. Cap.
21,800 lbs.	54"	52"	48.25"	65.03	3136 gal.

SKAW PRE-CAST

26255 105th Street, New Auburn
Wisconsin 54757
www.skawprecast.com

Phone: (715) 967-2277
Toll Free: 1-800-924-8625
Fax: (715) 967-2707

TOP VIEW OF TANK (TAPERED)



Model Number: **3136**

Approved for: SEPTIC, SIPHON, HOLDING, OR PUMP CHAMBER

Weight	Inlet Dim.	Outlet Dim.	Liq. Depth	Gal. / In.	Max. Cap.
21,800 lbs.	54"	52"	48.25"	65.03	3136 gal.

SKAW PRE-CAST

26255 105th Street, New Auburn
 Wisconsin 54757
www.skawprecast.com

Phone: (715) 967-2277
 Toll Free: 1-800-924-8625
 Fax: (715) 967-2707