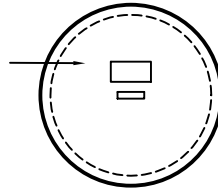
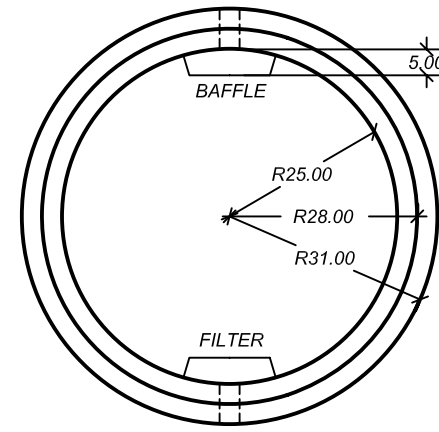


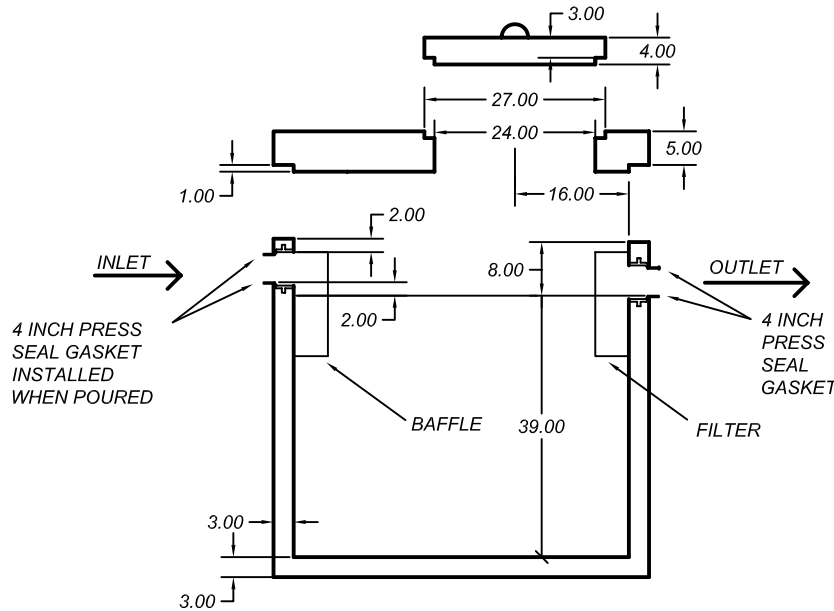
WARNING DEATH MAY OCCUR IF TANK IS ENTERED WITHOUT PROPER EQUIPMENT



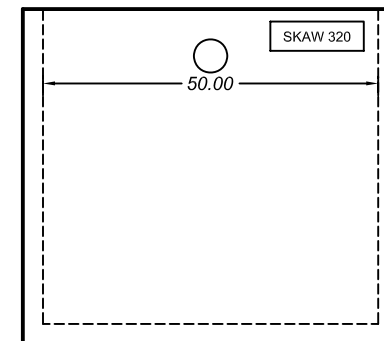
TOP VIEW OF MANHOLE COVER



TOP VIEW OF TANK (TAPERED)



SECTION VIEW OF TANK AND COVER



OUTLET END VIEW OF TANK

Model Number: **320 ROUND**

Approved for: SEPTIC, SIPHON, HOLDING, CATCH BASIN, OR PUMP

Weight	Inlet Dim.	Outlet Dim.	Liq. Depth	Gal. / In.	Max. Cap.
3800 lbs.	44"	42"	39"	8.41	328 gal.

SKAW PRE-CAST

26255 105th Street, New Auburn
Wisconsin 54757
www.skawprecast.com

Phone: (715) 967-2277
Toll Free: 1-800-924-8625
Fax: (715) 967-2707