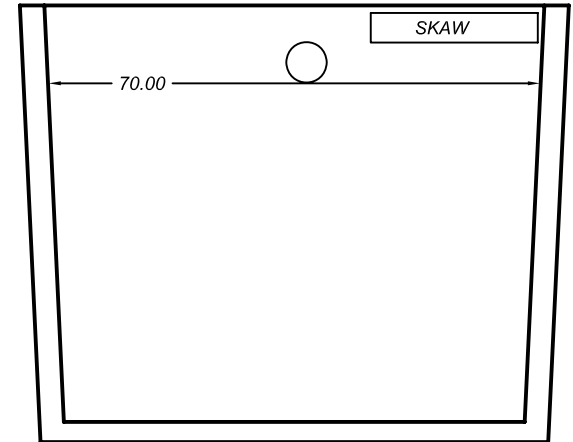
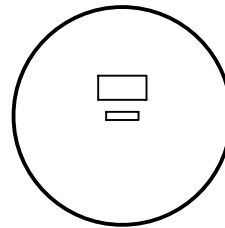
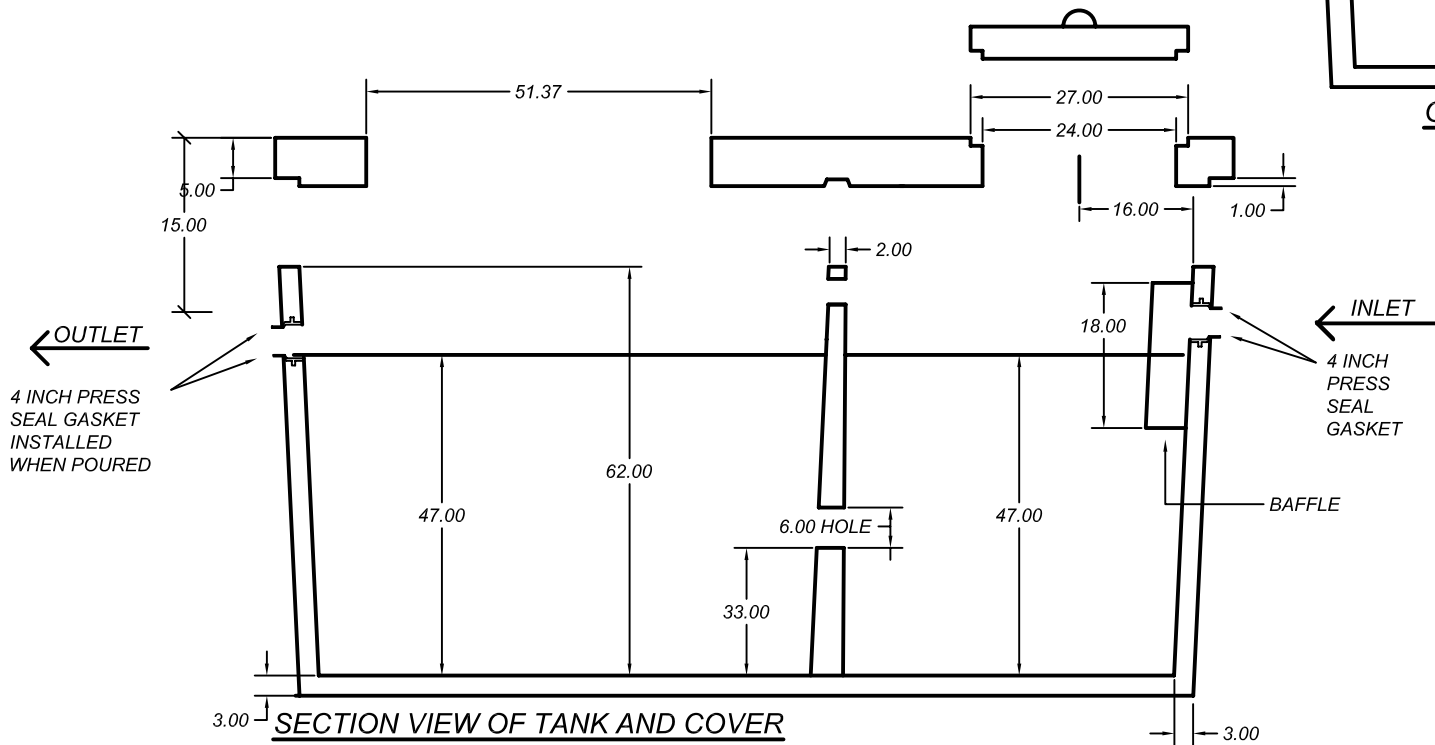


WARNING DEATH MAY OCCUR IF TANK IS ENTERED  
WITHOUT PROPER EQUIPMENT



OUTLET END VIEW OF TANK



Model Number: **BIO 0.5 in 1200/750**

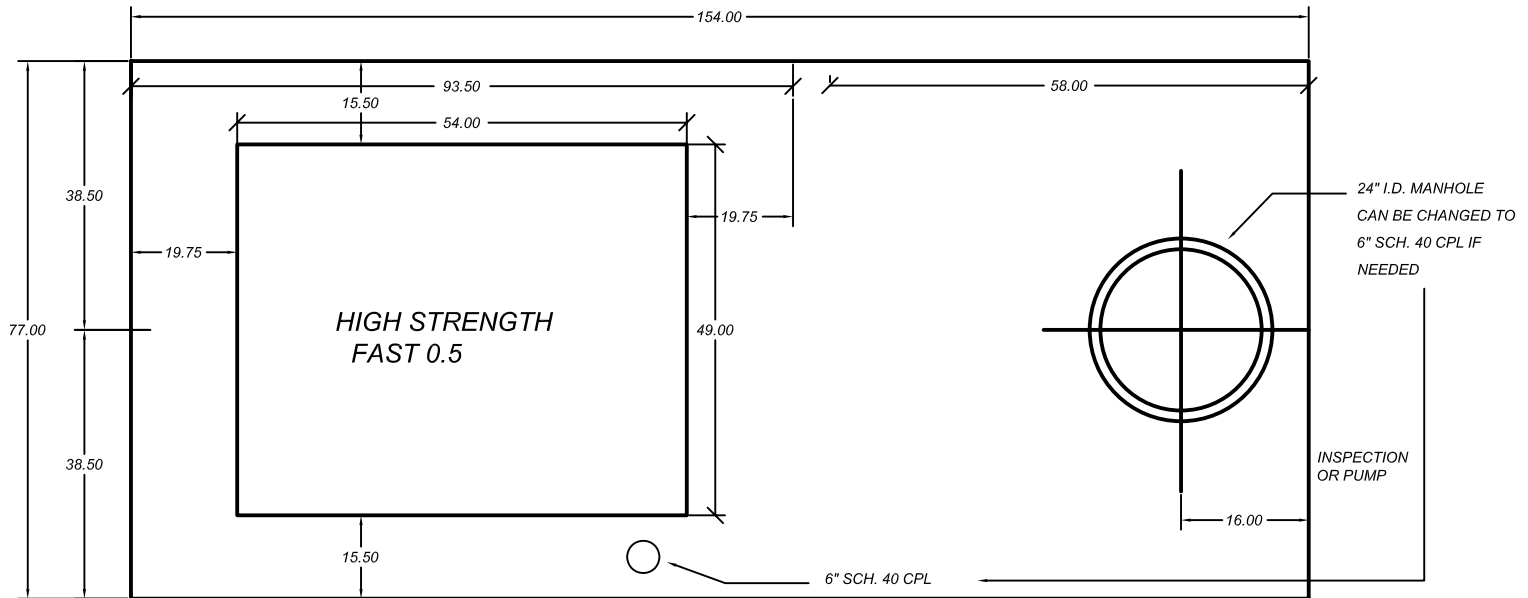
Approved for: PRETREATMENT TANK

Weight	Inlet Dim.	Outlet Dim.	Liq. Depth	Gal. / In.	Max. Cap.
13,050 lbs.	53"	51"	47"	16.05	754.35 gal.

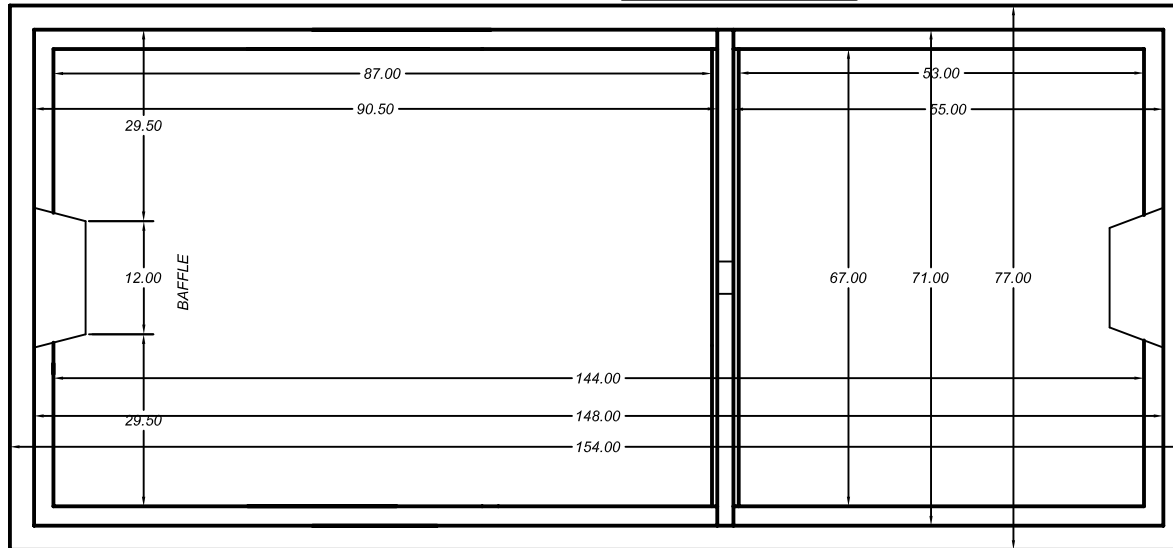
**SKAW PRE-CAST**

26255 105th Street, New Auburn  
Wisconsin 54757  
[www.skawprecast.com](http://www.skawprecast.com)

Phone: (715) 967-2277  
Toll Free: 1-800-924-8625  
Fax: (715) 967-2707



TOP VIEW OF COVER



TOP VIEW OF TANK

Model Number: **BIO 0.5 in 1200/750**

Approved for: **PRETREATMENT TANK**

Weight	Inlet Dim.	Outlet Dim.	Liq. Depth	Gal. / In.	Max. Cap.
13,050 lbs.	53"	51"	47"	16.05	754.35 gal.

**SKAW PRE-CAST**

26255 105th Street, New Auburn  
Wisconsin 54757  
[www.skawprecast.com](http://www.skawprecast.com)

Phone: (715) 967-2277  
Toll Free: 1-800-924-8625  
Fax: (715) 967-2707