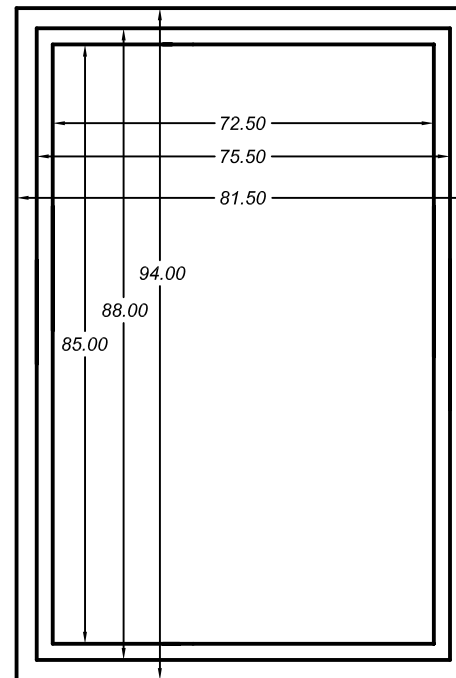
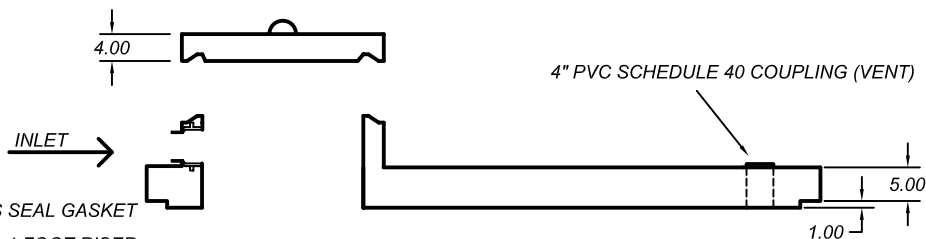


WARNING DEATH MAY OCCUR IF TANK IS ENTERED WITHOUT PROPER EQUIPMENT

TOP VIEW OF MANHOLE COVER

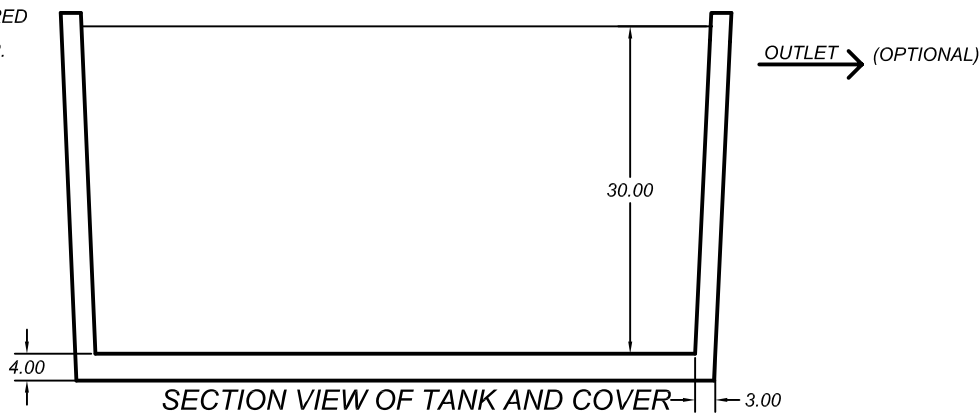


TOP VIEW OF TANK (TAPERED)

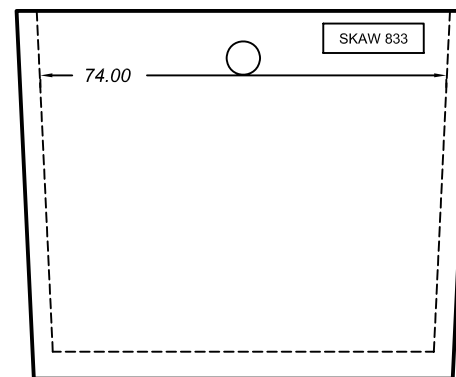


4 INCH PRESS SEAL GASKET
POURED INTO 1 FOOT RISER.

RISER IS THEN POURED
INTO TANK COVER.



SECTION VIEW OF TANK AND COVER



OUTLET END VIEW OF TANK

Model Number: **833 LO PRO HOLDING**

Approved for: HOLDING

SKAW PRE-CAST

26255 105th Street, New Auburn
Wisconsin 54757
www.skawprecast.com

Phone: (715) 967-2277
Toll Free: 1-800-924-8625
Fax: (715) 967-2707

Weight	Inlet Dim.	Outlet Dim.	Liq. Depth	Gal. / In.	Max. Cap.
8100 lbs.	40"	N/A"	30"	27.78	833 gal.