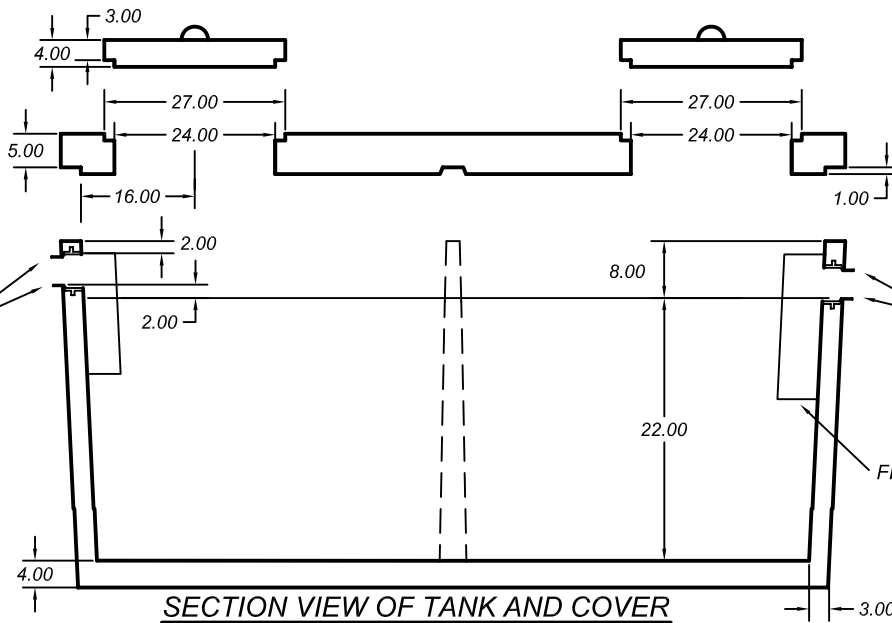


TOP VIEW OF MANHOLE COVER

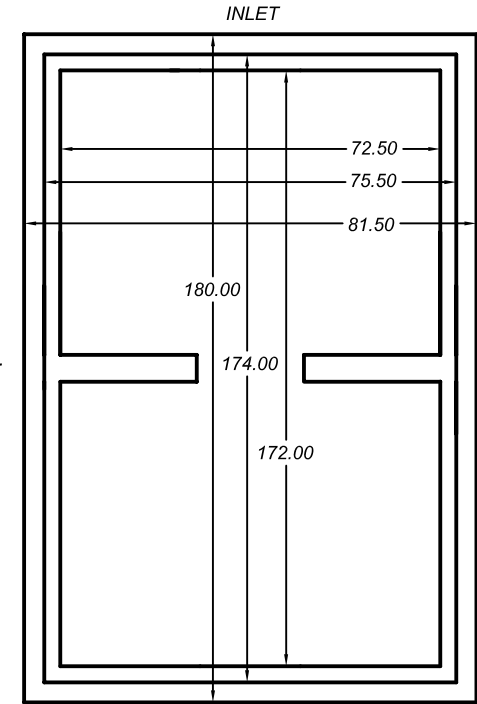
NOTE: BAFFLE AND FILTER HAVE BEEN REMOVED SO DIMENSIONS COULD BE DEPICTED.

WARNING DEATH MAY OCCUR IF TANK IS ENTERED WITHOUT PROPER EQUIPMENT

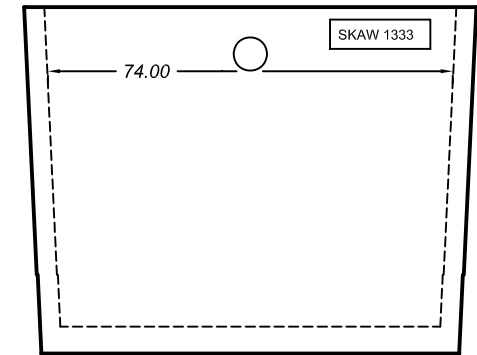
NOTE: SEE INNER WALL PHOTO ON THE "EXCLUSIVELY AT SKAW'S" PAGE.



SECTION VIEW OF TANK AND COVER



TOP VIEW OF TANK (TAPERED)



OUTLET END VIEW OF TANK

Model Number: **1333**

Approved for: SEPTIC, SIPHON, HOLDING, OR PUMP CHAMBER

Weight	Inlet Dim.	Outlet Dim.	Liq. Depth	Gal. / In.	Max. Cap.
16,000 lbs.	28"	26"	22"	55.56	1222 gal.

SKAW PRE-CAST

26255 105th Street, New Auburn
Wisconsin 54757
www.skawprecast.com

Phone: (715) 967-2277
Toll Free: 1-800-924-8625
Fax: (715) 967-2707