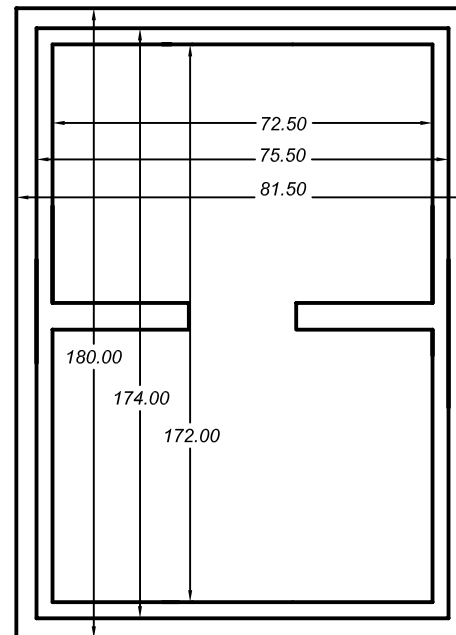


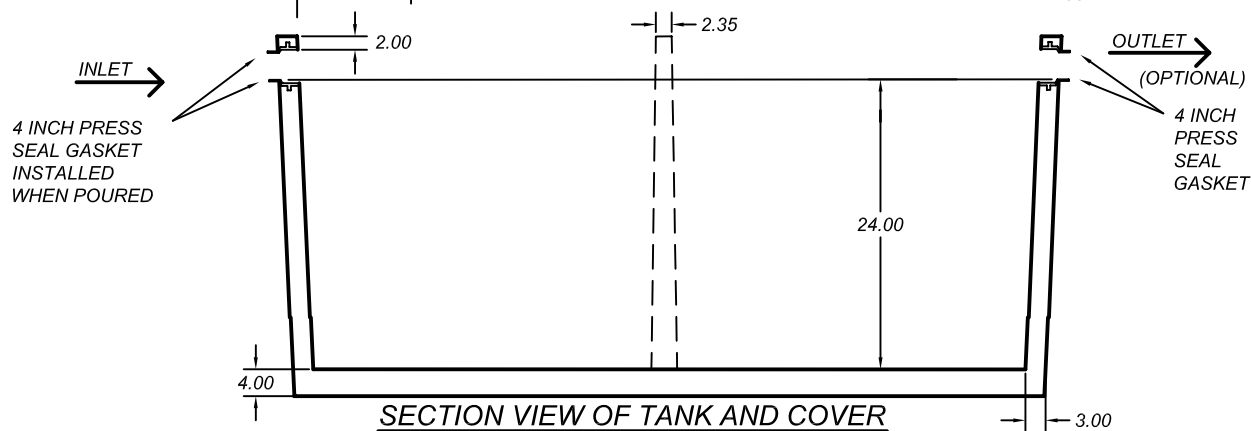
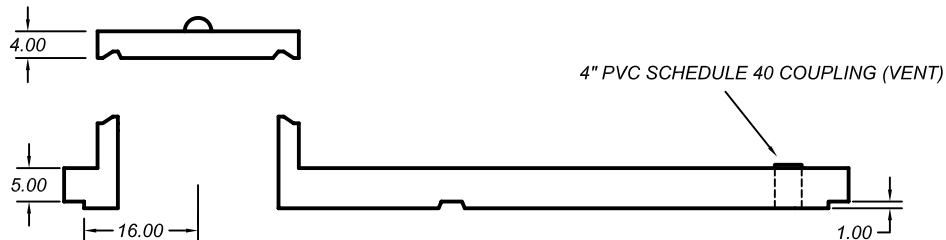
WARNING DEATH MAY OCCUR IF TANK IS ENTERED WITHOUT PROPER EQUIPMENT

NOTE: SEE INNER WALL PHOTO ON THE "EXCLUSIVELY AT SKAWS" PAGE.

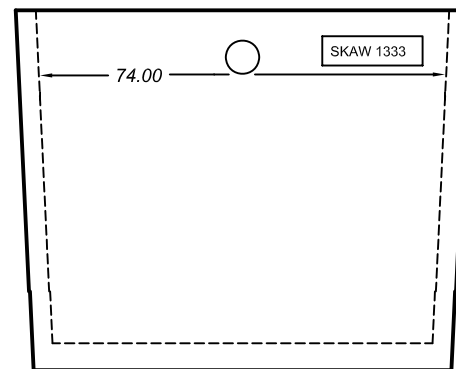
TOP VIEW OF MANHOLE COVER



TOP VIEW OF TANK (TAPERED)



SECTION VIEW OF TANK AND COVER



OUTLET END VIEW OF TANK

Model Number: **1333 LO PRO HOLDING**

Approved for: **HOLDING**

Weight	Inlet Dim.	Outlet Dim.	Liq. Depth	Gal. / In.	Max. Cap.
16,000 lbs.	28"	N/A"	24"	55.56	1333 gal.

**SKAW PRE-CAST**

26255 105th Street, New Auburn  
Wisconsin 54757  
[www.skawprecast.com](http://www.skawprecast.com)

Phone: (715) 967-2277  
Toll Free: 1-800-924-8625  
Fax: (715) 967-2707