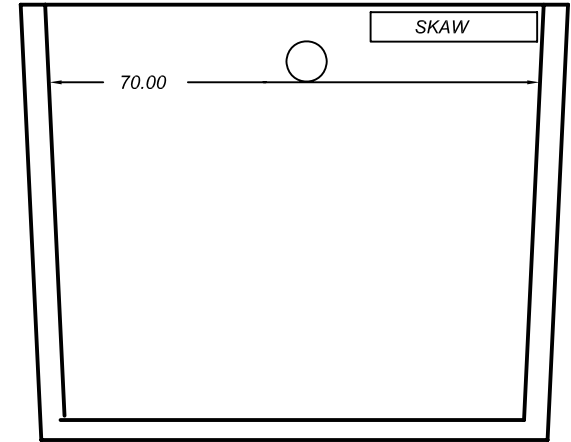
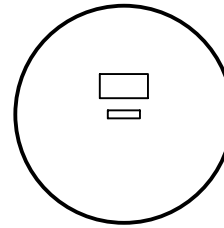
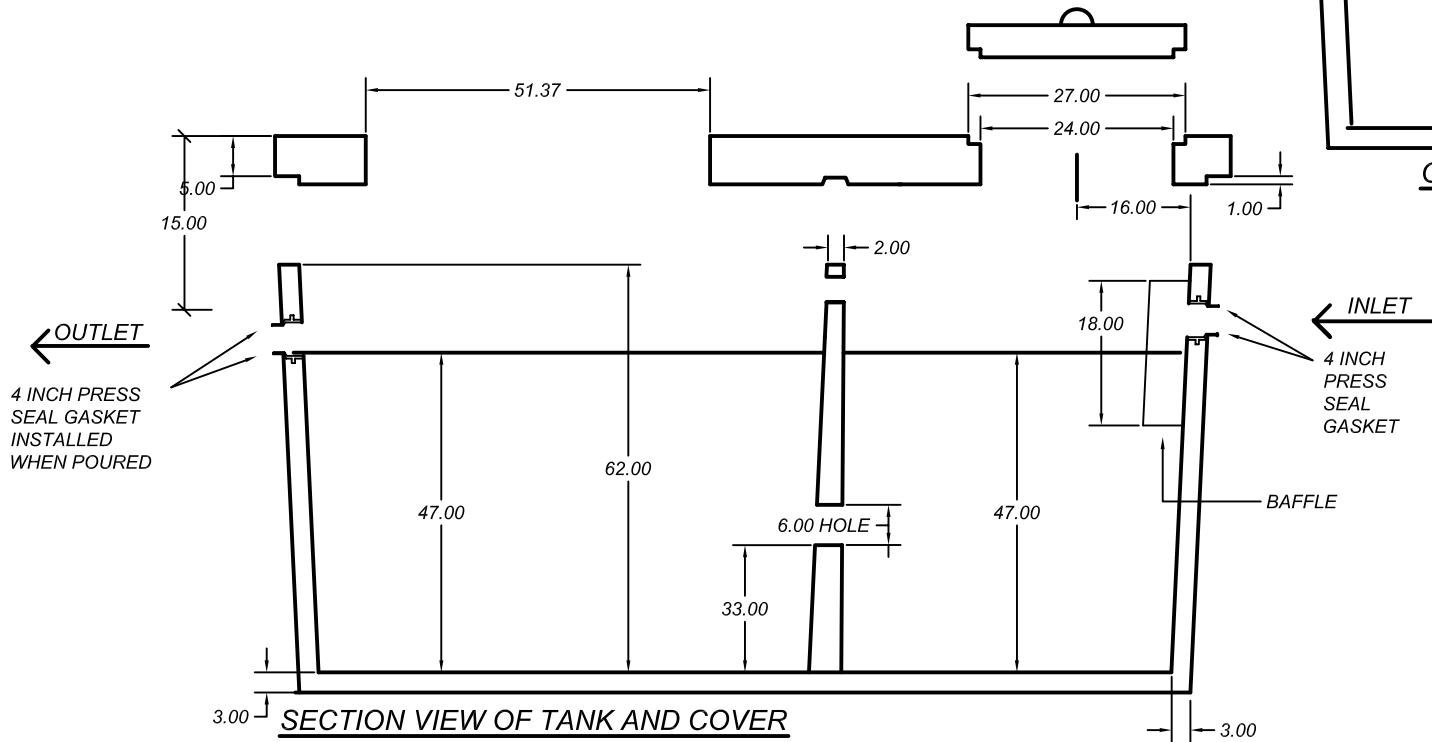


WARNING DEATH MAY OCCUR IF TANK IS ENTERED
WITHOUT PROPER EQUIPMENT



OUTLET END VIEW OF TANK



SECTION VIEW OF TANK AND COVER

Model Number: **BIO 1.5 in 1200/750**

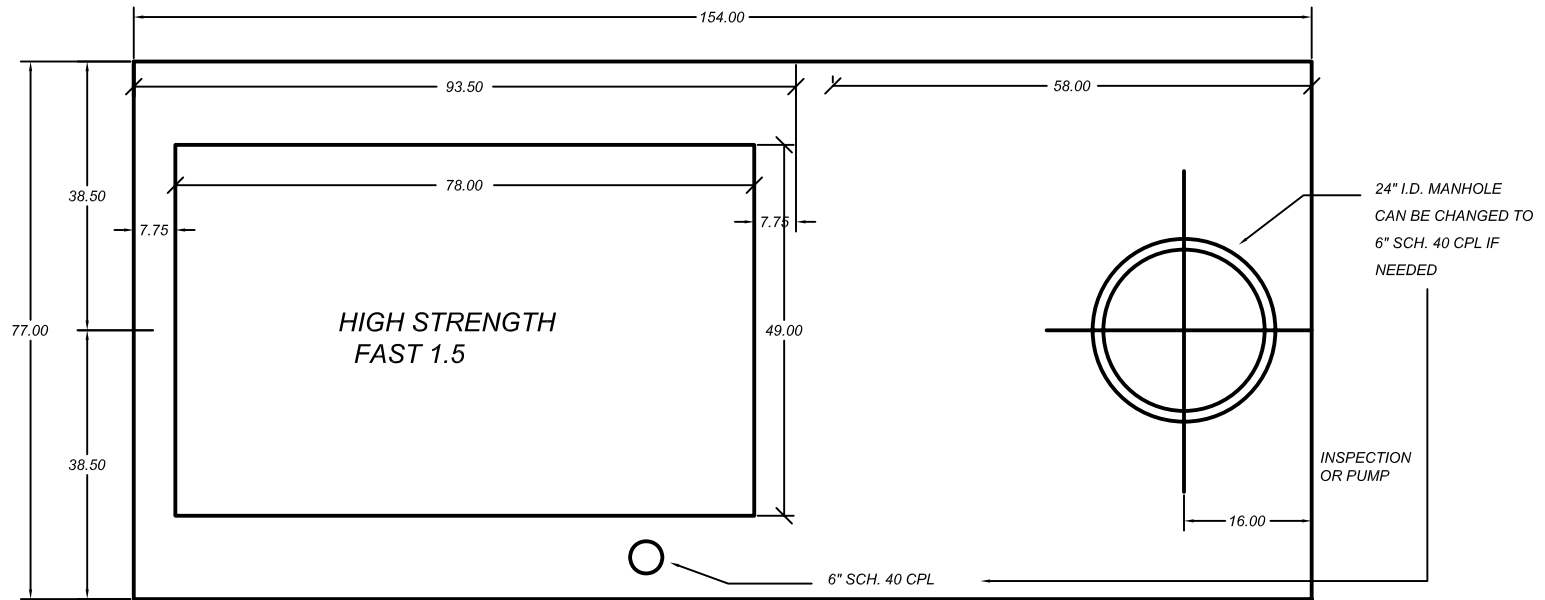
Approved for: **PRETREATMENT TANK**

SKAW PRE-CAST

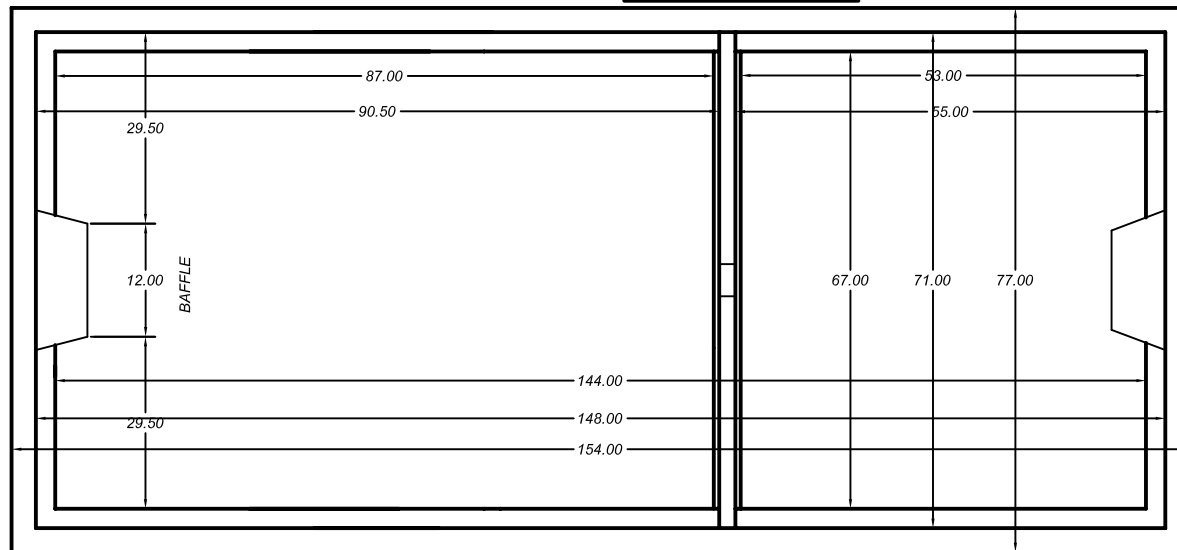
26255 105th Street, New Auburn
Wisconsin 54757
www.skawprecast.com

Phone: (715) 967-2277
Toll Free: 1-800-924-8625
Fax: (715) 967-2707

Weight	Inlet Dim.	Outlet Dim.	Liq. Depth	Gal. / In.	Max. Cap.
13,050 lbs.	53"	51"	47"	16.05	754.35 gal.



TOP VIEW OF COVER



TOP VIEW OF TANK

Model Number: **BIO 1.5 in 1200/750**

Approved for: **PRETREATMENT TANK**

Weight	Inlet Dim.	Outlet Dim.	Liq. Depth	Gal. / In.	Max. Cap.
13,050 lbs.	53"	51"	47"	16.05	754.35 gal.

SKAW PRE-CAST

26255 105th Street, New Auburn
Wisconsin 54757
www.skawprecast.com

Phone: (715) 967-2277
Toll Free: 1-800-924-8625
Fax: (715) 967-2707