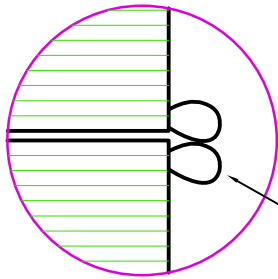


# SKAW PRECAST CONCRETE BOAT LANDING APRONS

26255 105th Street, New Auburn, WI 54757 - Toll Free: 1-800-924-8625

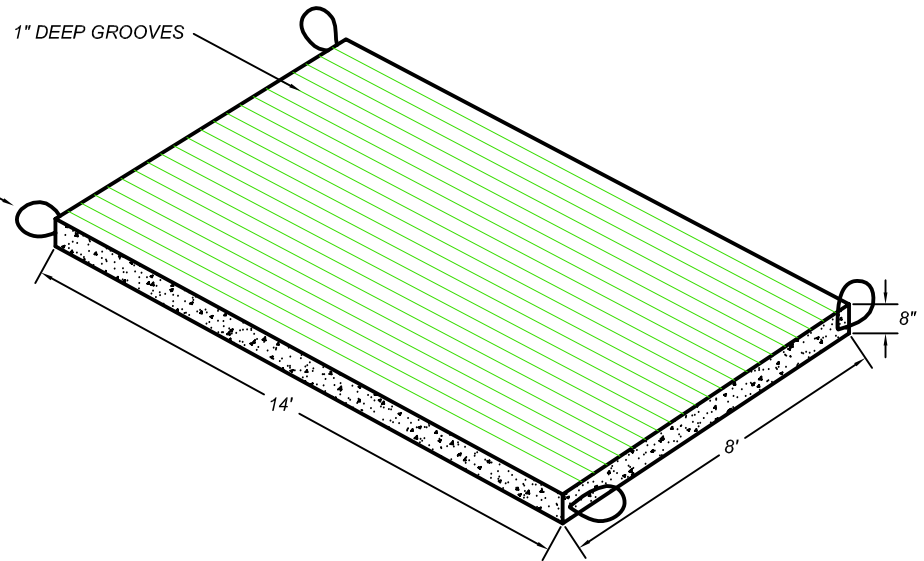
## PLANK CONNECTION



PLANKS ARE CONNECTED BY 3/8" CABLE CLAMP

3/8" CABLE LOOP

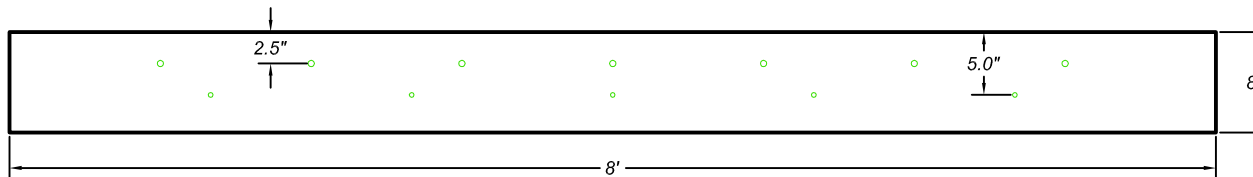
1" DEEP GROOVES



NOTE: LENGTH CAN BE 14', 12' OR 10'  
WIDTH CAN BE 6' OR 8'  
THICKNESS CAN BE 8" OR 6"

CONCRETE IS 4000 MINIMUM PSI

## ENLARGED END VIEW DEPICTING REBAR LOCATION



NOTE: FIRST LAYER OF REBAR IS 1/2" REBAR 12" ON CENTER EACH WAY  
SECOND LAYER OF REBAR IS 3/8" REBAR 16" ON CENTER EACH WAY

## BOAT LANDING CONCRETE PLANK

Weight	Inlet Dim.	Outlet Dim.	Liq. Depth	Gal. / In.	Max. Cap.
N/A	N/A	N/A	N/A	N/A	N/A

## SKAW PRE-CAST

26255 105th Street, New Auburn  
Wisconsin 54757  
www.skawprecast.com

Phone: (715) 967-2277  
Toll Free: 1-800-924-8625  
Fax: (715) 967-2707