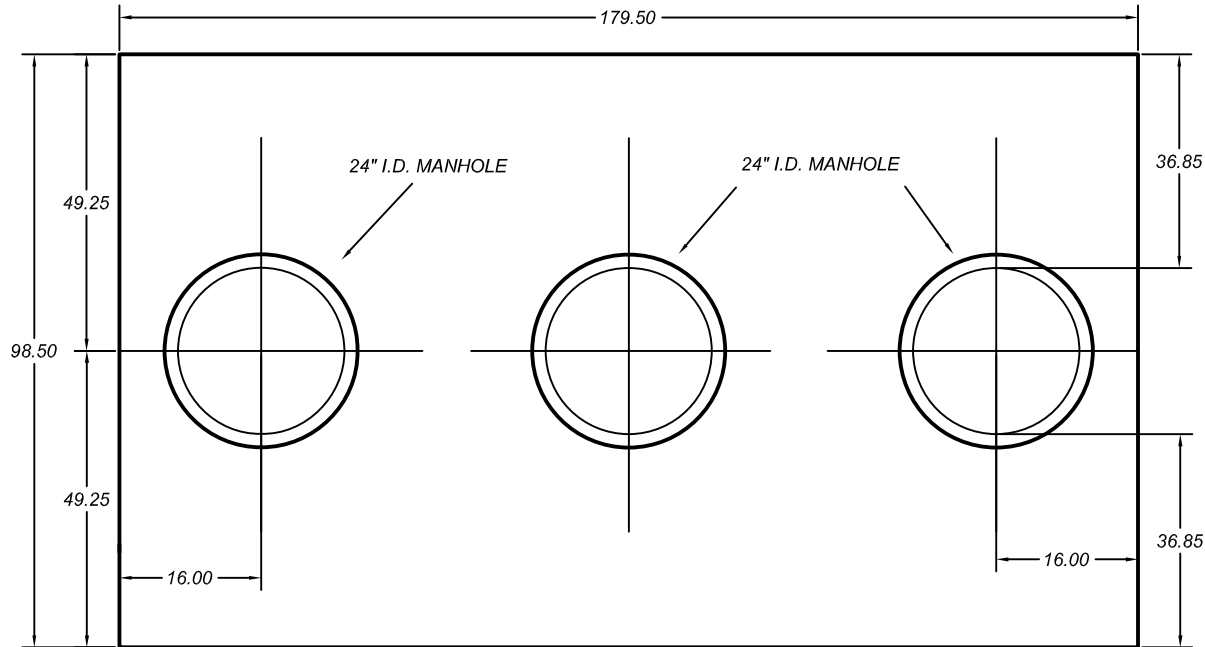


# GREASE INTERCEPTOR COVER DETAILS

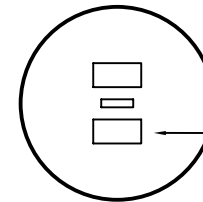
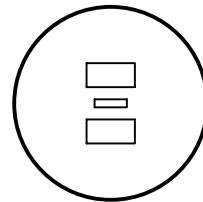
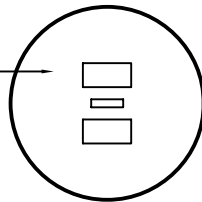
## TOP VIEW OF COVER



FILE NUMBER 20070328

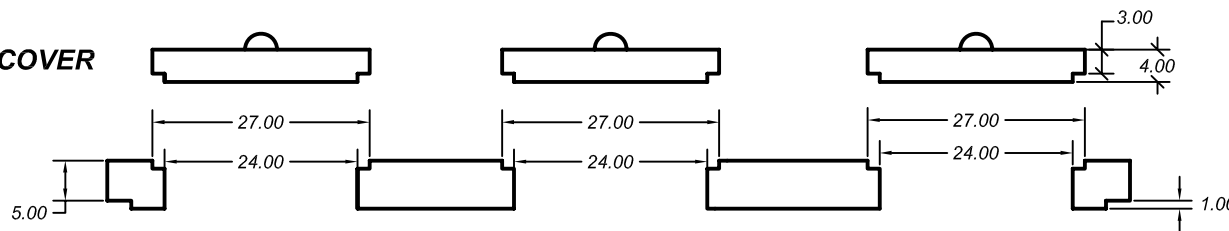
WHEN THESE TANKS ARE USED AS A GREASE INTERCEPTOR A THIRD MANHOLE OPENING WILL BE PROVIDED OVER THE CENTER WALL OF THE TANK. THIS OPENING IS FOR PUMPING AND INSPECTION SERVICE ONLY.

WARNING DEATH MAY OCCUR IF TANK IS ENTERED WITHOUT PROPER EQUIPMENT



GREASE INTERCEPTOR

## FRONT VIEW OF COVER



Model Number: **3136, 5100 & 7050**

Approved for: GREASE INTERCEPTOR

## SKAW PRE-CAST

26255 105th Street, New Auburn  
Wisconsin 54757  
www.skawprecast.com

Phone: (715) 967-2277  
Toll Free: 1-800-924-8625  
Fax: (715) 967-2707

Weight	Inlet Dim.	Outlet Dim.	Liq. Depth	Gal. / In.	Max. Cap.
21,800 lbs.	54"	52"	48.25"	65.03	3136 gal.