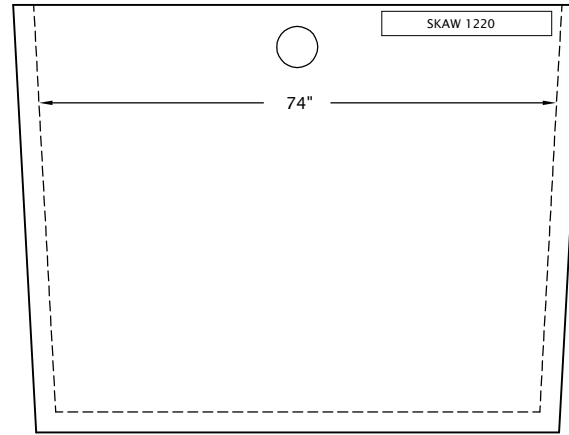
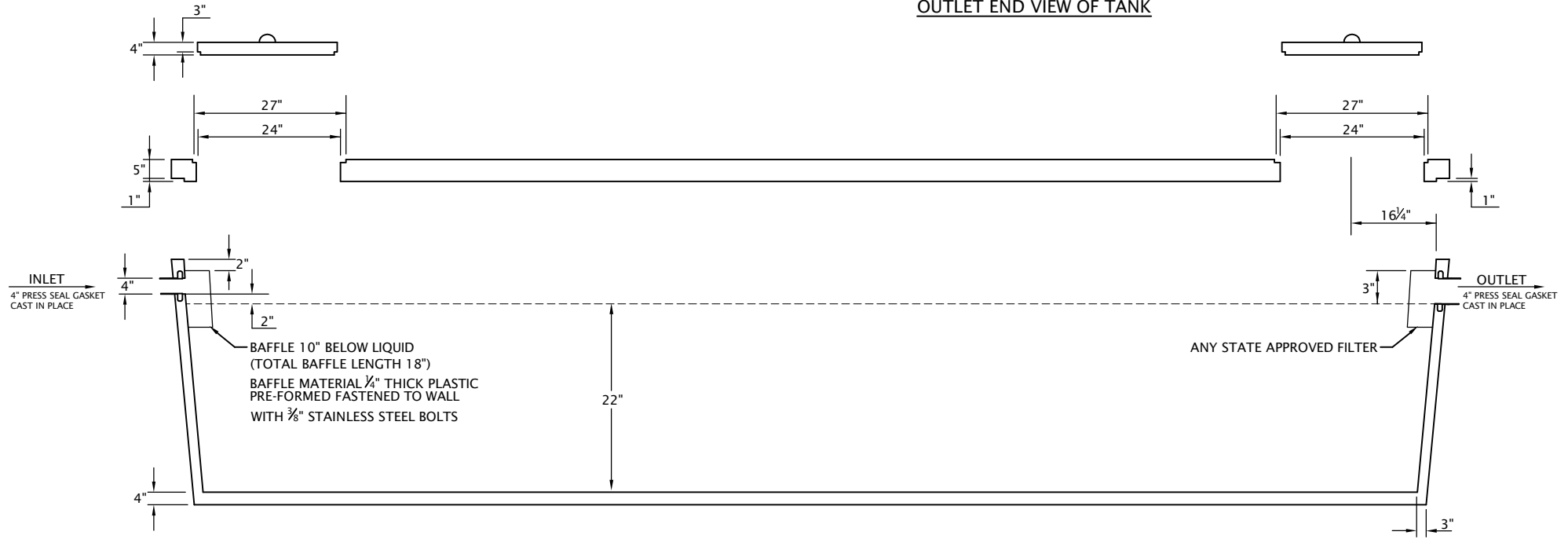


WARNING: DEATH MAY OCCUR IF TANK IS ENTERED WITHOUT PROPER EQUIPMENT



OUTLET END VIEW OF TANK



SECTION VIEW OF TANK

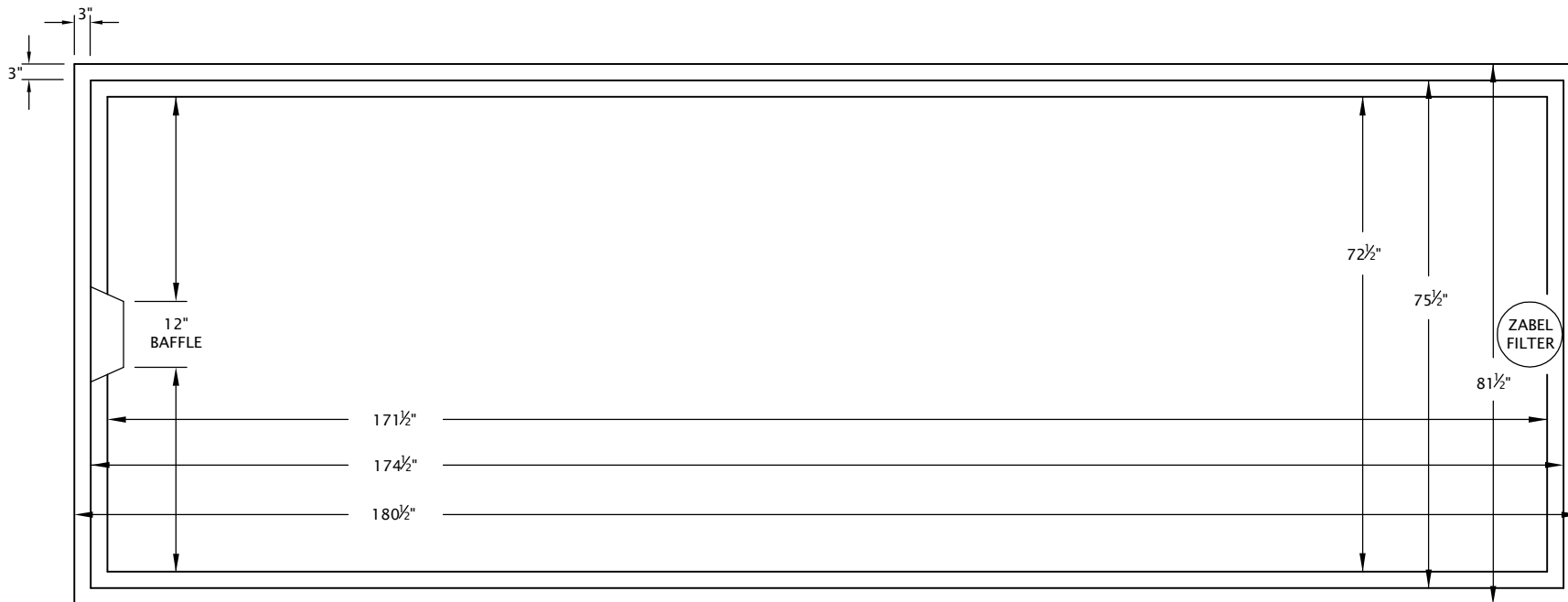
MODEL NUMBER: 1220
APPROVED FOR: SEPTIC, SIPHON, HOLDING, OR PUMP

SKAW PRE-CAST

26255 105th STREET, NEW AUBURN
WISCONSIN 54757

PHONE: (715) 967-2277
TOLL FREE: 1-800-924-8625
HOME PHONE: (715) 967-2305
FAX: (715) 967-2707 (SHOP)

WEIGHT	INLET DIM.	OUTLET DIM.	LIQ. DEPTH	GAL. / IN.	MAX. CAP.
16,000 LBS.	28"	26"	22"	55.56	1222 GAL.



TOP VIEW OF TANK

MODEL NUMBER: 1220
 APPROVED FOR: SEPTIC, SIPHON, HOLDING, OR PUMP

SKAW PRE-CAST

26255 105th STREET, NEW AUBURN
 WISCONSIN 54757

PHONE: (715) 967-2277
 TOLL FREE: 1-800-924-8625
 HOME PHONE: (715) 967-2305
 FAX: (715) 967-2707 (SHOP)

WEIGHT	INLET DIM.	OUTLET DIM.	LIQ. DEPTH	GAL. / IN.	MAX. CAP.
16,000 LBS.	28"	26"	22"	55.56	1222 GAL.