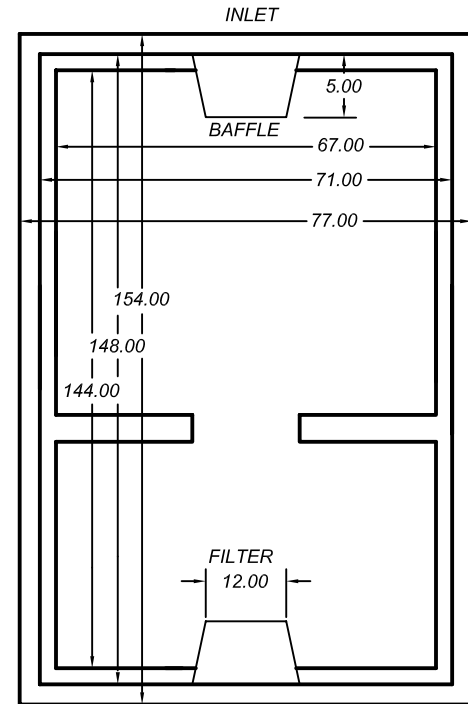


WARNING DEATH MAY OCCUR IF TANK IS ENTERED WITHOUT PROPER EQUIPMENT

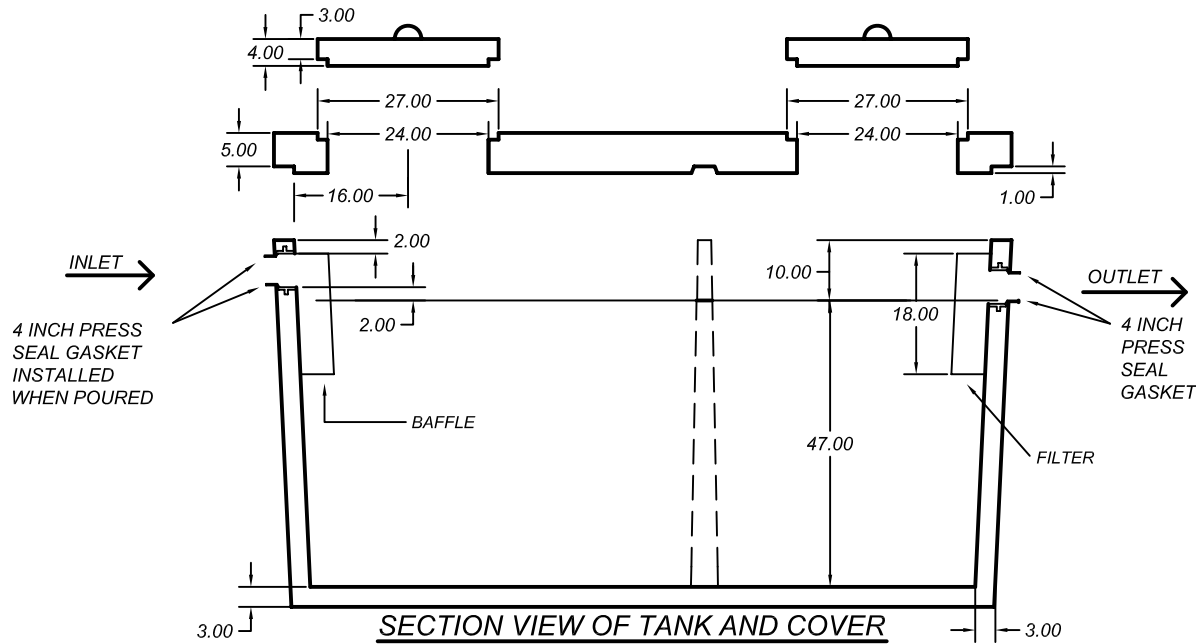
NOTE: SEE INNER WALL PHOTO ON THE "EXCLUSIVELY AT SKAW'S" PAGE.

TOP VIEW OF MANHOLE COVER

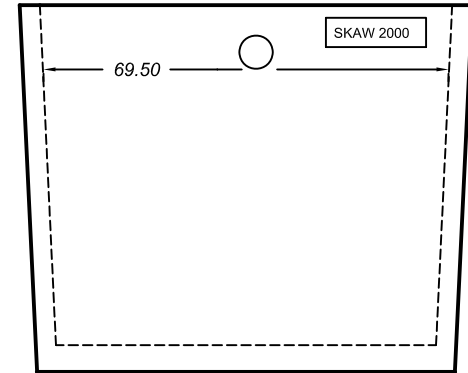
NOTE: WHEN THE OUTLET IS PLUGGED THE LIQUID DEPTH IS INCREASED TO 49 INCHES.



TOP VIEW OF TANK (TAPERED)



SECTION VIEW OF TANK AND COVER



OUTLET END VIEW OF TANK

Model Number: **2000**

Approved for: SEPTIC, SIPHON, HOLDING, OR PUMP CHAMBER

Weight	Inlet Dim.	Outlet Dim.	Liq. Depth	Gal. / In.	Max. Cap.
16,100 lbs.	52"	50"	47"	44.19	2077 gal.

**SKAW PRE-CAST**

26255 105th Street, New Auburn  
Wisconsin 54757  
www.skawprecast.com

Phone: (715) 967-2277  
Toll Free: 1-800-924-8625  
Fax: (715) 967-2707