

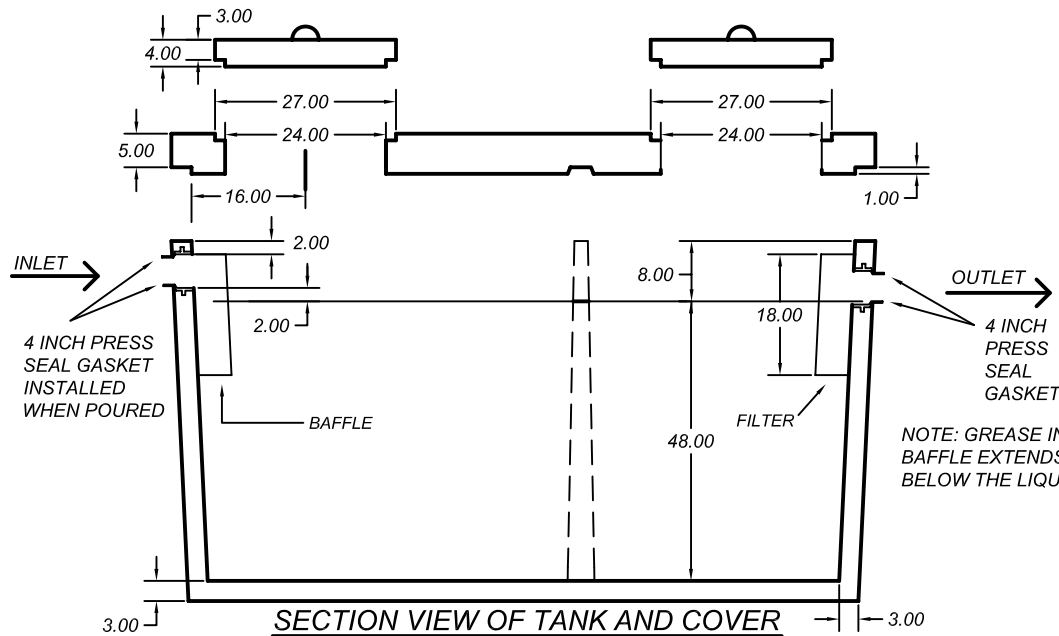
WARNING DEATH MAY OCCUR IF TANK IS ENTERED WITHOUT PROPER EQUIPMENT

* GREASE INTERCEPTOR.

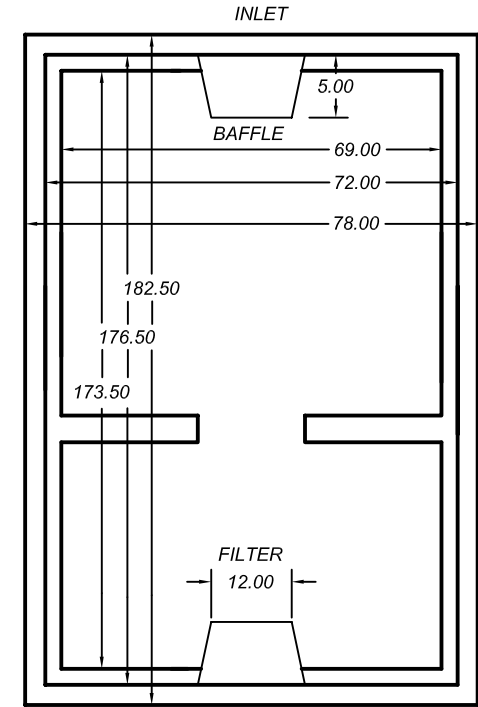
NOTE: SEE INNER WALL PHOTO ON THE "EXCLUSIVELY AT SKAW'S" PAGE.

TOP VIEW OF MANHOLE COVER

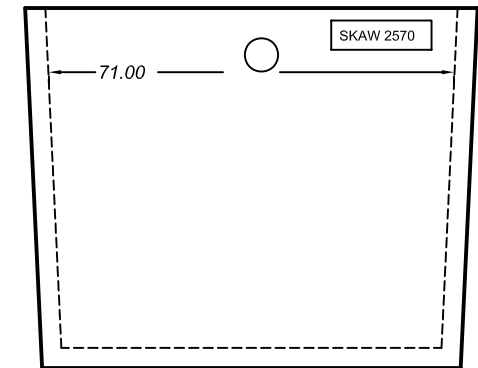
NOTE: WHEN THE OUTLET IS PLUGGED THE LIQUID DEPTH IS INCREASED TO 50 INCHES.



SECTION VIEW OF TANK AND COVER



OUTLET
TOP VIEW OF TANK (TAPERED)



OUTLET END VIEW OF TANK

Model Number: **2570**

Approved for: SEPTIC, HOLDING, GREASE INTERCEPTOR, PUMP OR SIPHON

Weight	Inlet Dim.	Outlet Dim.	Liq. Depth	Gal. / In.	Max. Cap.
17,930 lbs.	53"	51"	48"	53.54	2570 gal.

SKAW PRE-CAST

26255 105th Street, New Auburn
Wisconsin 54757
www.skawprecast.com

Phone: (715) 967-2277
Toll Free: 1-800-924-8625
Fax: (715) 967-2707