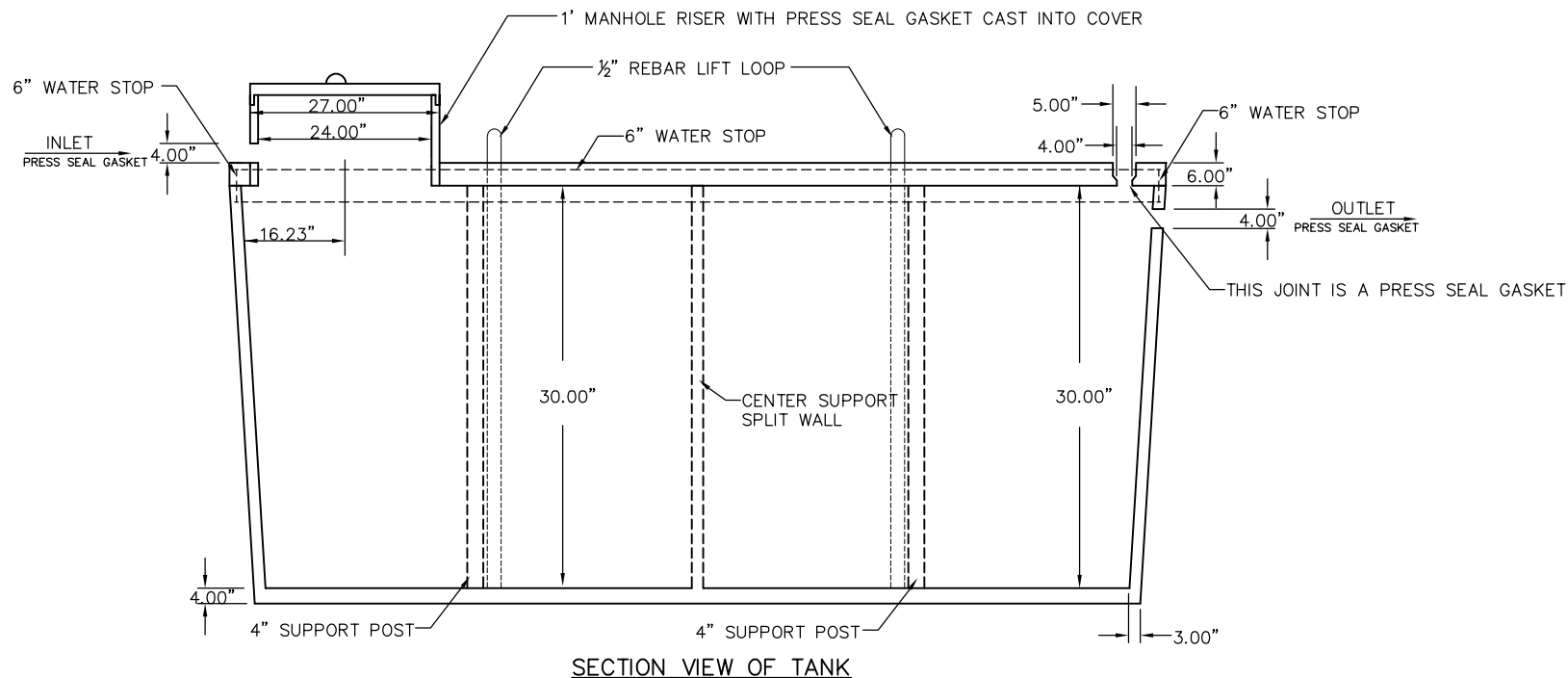


OUTLET END VIEW OF TANK



PRODUCT NAME: PUMP OR HOLDING

MODEL NUMBER(S): WS 2500

PRODUCT FILE NO.:

SKAW PRE-CAST

26255 105th STREET, NEW AUBURN
WISCONSIN 54757

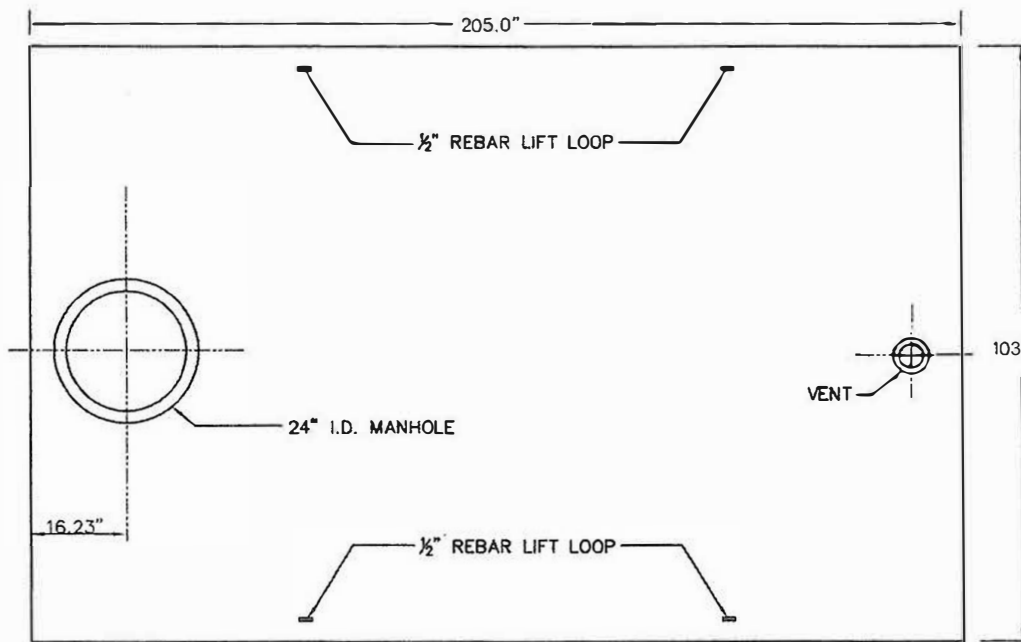
PHONE: (715) 967-2277

TOLL FREE: 1-800-924-8625

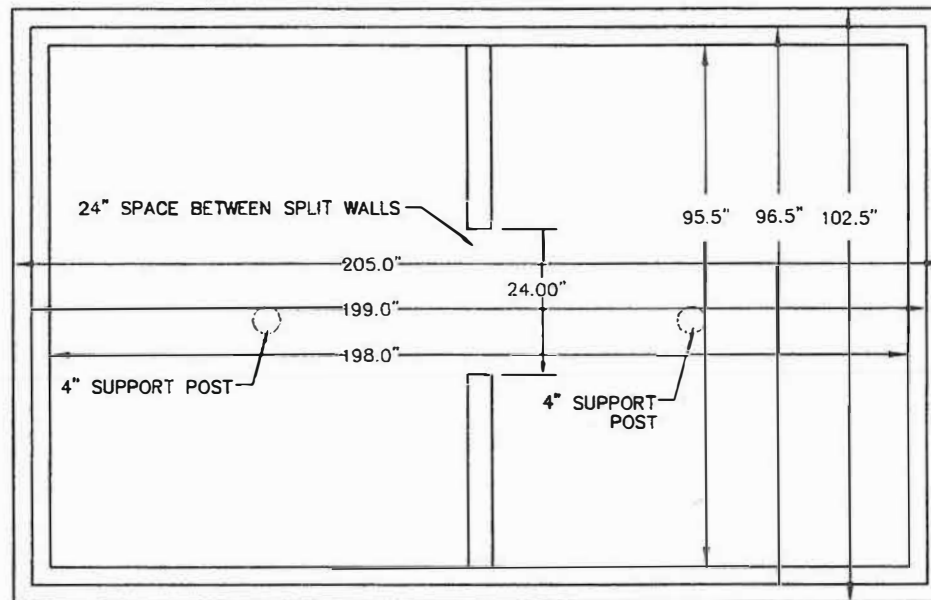
HOME PHONE: (715) 967-2305

FAX: (715) 967-2707 (SHOP)

FAX: (715) 967-2708 (HOME)



TOP VIEW OF COVER



TOP VIEW OF TANK

Conditionally
APPROVED

[Signature]
SEE CORRESPONDENCE

20150015

PAGE: 2 OF 23

PRODUCT NAME: PUMP OR HOLDING

MODEL NUMBER(S): WS 2500

PRODUCT FILE NO.:

SKAW PRE-CAST

26255 105th STREET, NEW AUBURN
WISCONSIN 54757

PHONE: (715) 967-2277

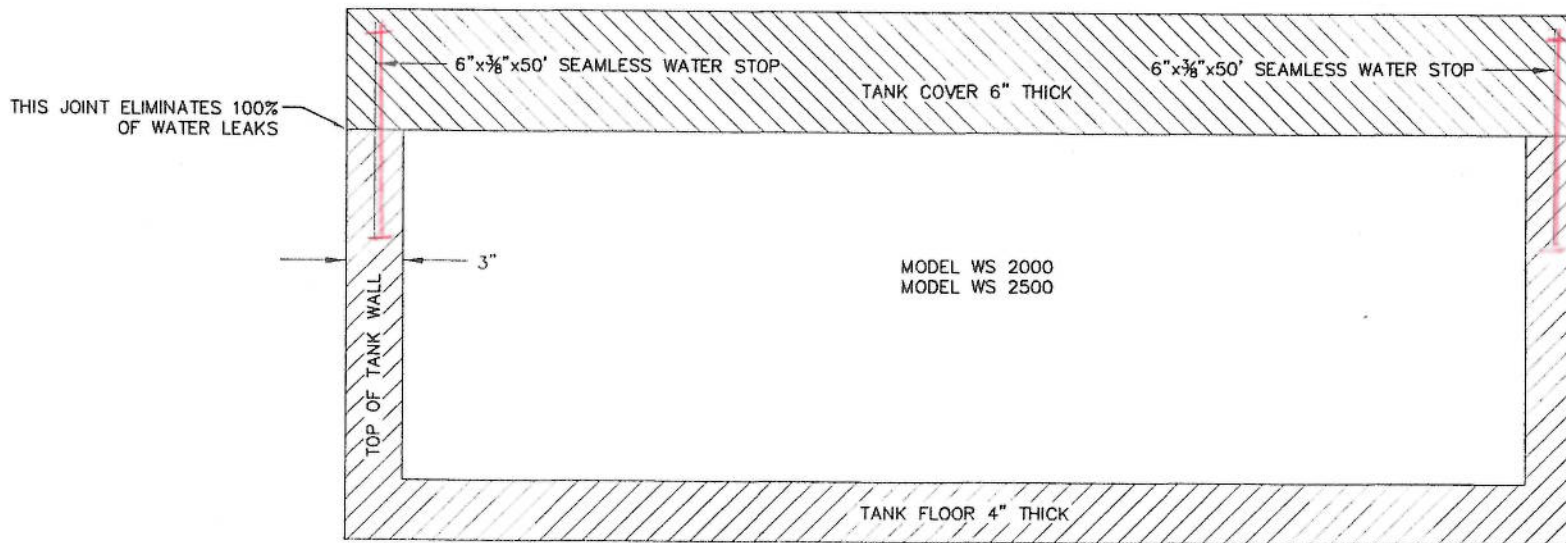
TOLL FREE: 1-800-924-8625

HOME PHONE: (715) 967-2305

FAX: (715) 967-2707 (SHOP)

FAX: (715) 967-2708 (HOME)

CROSS SECTION DRAWING OF WATERPROOF JOINT



<p>PRODUCT NAME: PRE-CAST CONCRETE TANK</p> <p>MODEL NUMBER(S): WS 2000/WS 2500</p> <p>file number 20152015</p>	<p>SKAW PRE-CAST</p> <p>26255 105th STREET, NEW AUBURN WISCONSIN 54757</p> <p>SKAW ND PRE-CAST LLC</p> <p>1027 WELO STREET S, TIOGA, ND 58852</p>	<p>PHONE: (715) 967-2277</p> <p>TOLL FREE: 1-800-924-8625</p> <p>HOME PHONE: (715) 967-2305</p> <p>FAX: (715) 967-2707 (SHOP)</p> <p>FAX: (715) 967-2708 (HOME)</p>
---	---	---