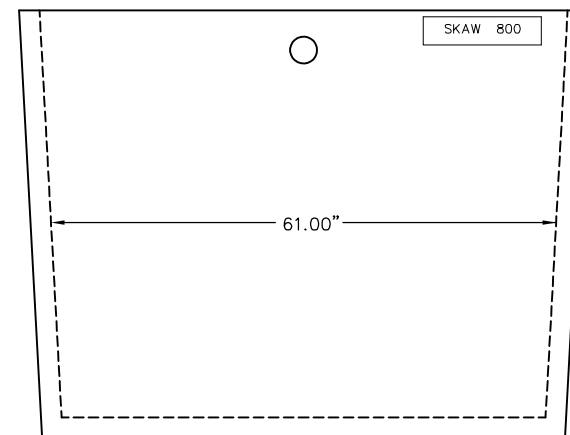
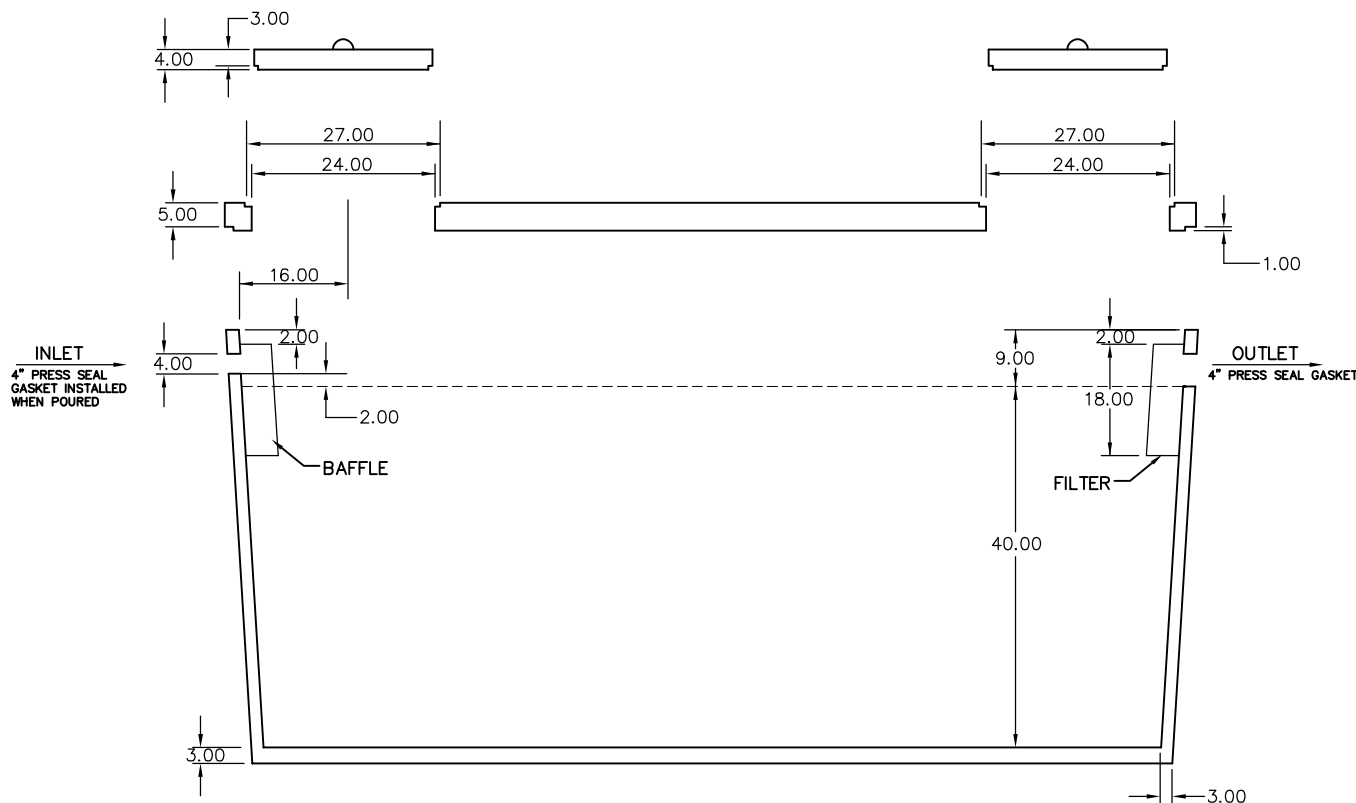


TOP VIEW OF MANHOLE COVER



OUTLET END VIEW OF TANK



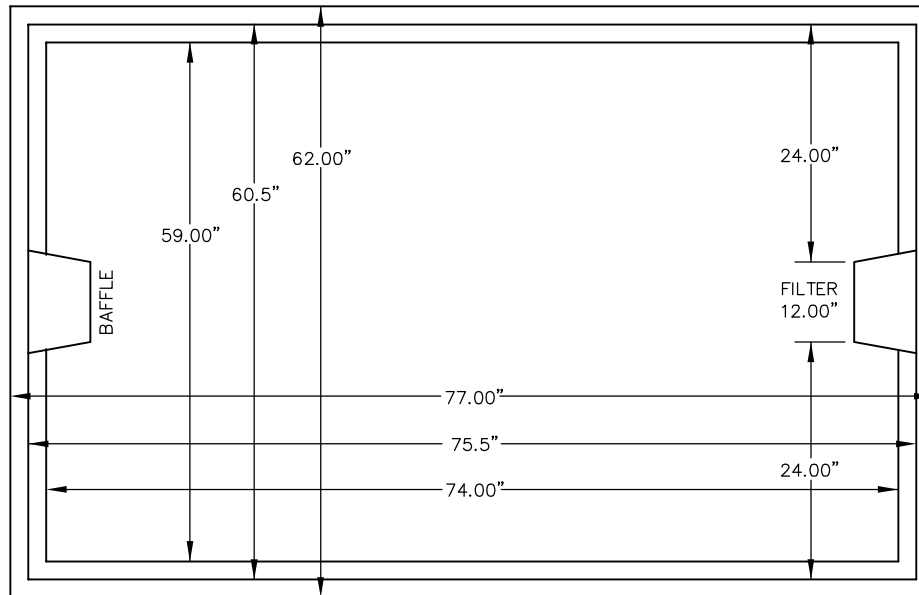
SECTION VIEW OF TANK & COVER

MODEL NUMBER: 800 APPROVED FOR: SEPTIC, SIPHON, HOLDING, OR PUMP					
WEIGHT	INLET DIM.	OUTLET DIM.	LIQ. DEPTH	GAL. / IN.	MAX. CAP.
7,930 LBS.	45"	43"	40"	20.12	805 GAL.

## SKAW PRE-CAST

26255 105th STREET, NEW AUBURN  
 WISCONSIN 54757

PHONE: (715) 967-2277  
 TOLL FREE: 1-800-924-8625  
 HOME PHONE: (715) 967-2305  
 FAX: (715) 967-2707 (SHOP)  
 FAX: (715) 967-2708 (HOME)



TOP VIEW OF TANK

PRODUCT NAME: SEPTIC, SIPHON, HOLDING, OR PUMP

MODEL NUMBER(S): 800

PRODUCT FILE NO.:

**SKAW PRE-CAST**

26255 105th STREET, NEW AUBURN  
WISCONSIN 54757

PHONE: (715) 967-2277

TOLL FREE: 1-800-924-8625

HOME PHONE: (715) 967-2305

FAX: (715) 967-2707 (SHOP)

FAX: (715) 967-2708 (HOME)