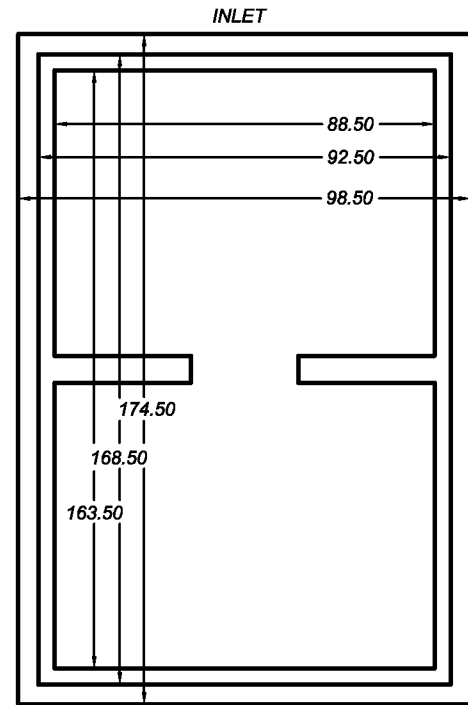


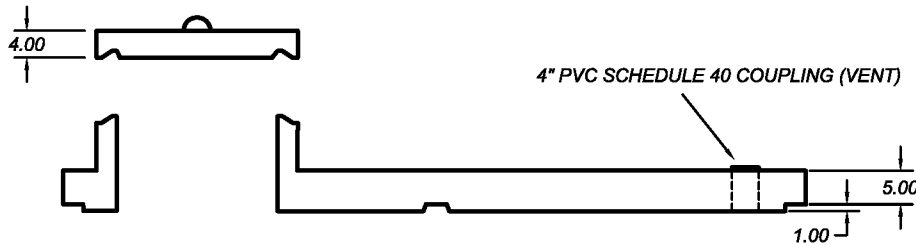
WARNING DEATH MAY OCCUR IF TANK IS ENTERED WITHOUT PROPER EQUIPMENT

NOTE: SEE INNER WALL PHOTO ON THE "EXCLUSIVELY AT SKAW'S" PAGE.

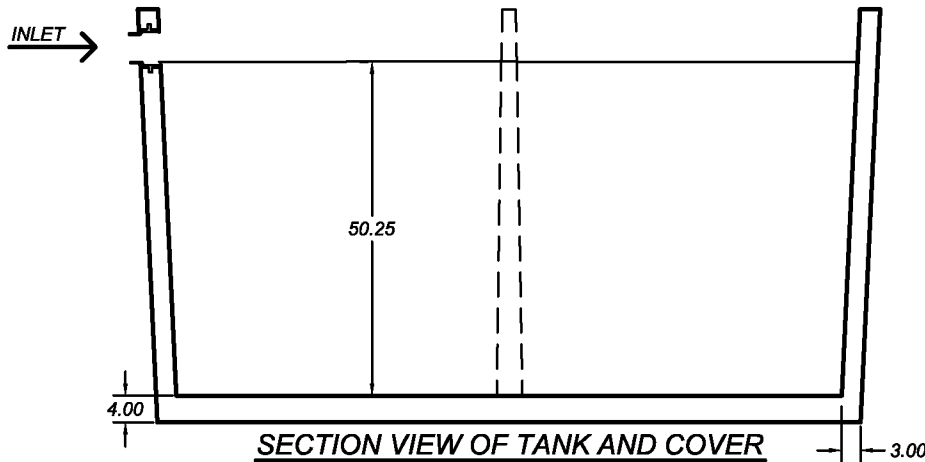
TOP VIEW OF MANHOLE COVER



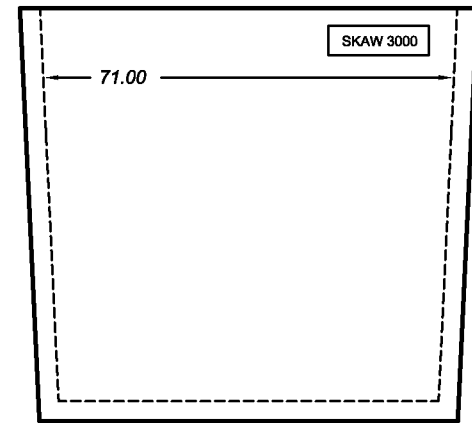
TOP VIEW OF TANK (TAPERED)



4" PVC SCHEDULE 40 COUPLING (VENT)



SECTION VIEW OF TANK AND COVER



OUTLET END VIEW OF TANK

Model Number: **3287 HOLDING**

Approved for: HOLDING

Weight	Inlet Dim.	Outlet Dim.	Liq. Depth	Gal. / In.	Max. Cap.
21,800 lbs.	54"	N/A"	50.25"	65.42	3287

SKAW PRE-CAST

26255 105th Street, New Auburn
Wisconsin 54757
www.skawprecast.com

Phone: (715) 967-2277
Toll Free: 1-800-924-8625
Fax: (715) 967-2707